

## CEILING MOUNTING PLATE VALLOX 110 MV

Installation instructions

---



Ceiling mounting plate

---

## CEILING MOUNTING PLATE VALLOX 110

1. Install the ceiling mounting plate with M8 thread bars so that it is horizontally level.

**NOTE!** The end of the thread bars must be 5 mm or less below the fastening nut. Do not fasten the ceiling mounting plate too tight to the ceiling. Ensure that the sliding bars move and restore to their original position by pulling from the operating levers (A).

The top edge of the white covering strip of the ceiling mounting plate can be installed against the ceiling. Alternatively, a concealed mounting method can be used, in which case the ceiling can be 20 mm below the top of the white covering strip.

2. Ensure that the insulation washers are in place in the outlet collars below the ceiling mounting plate.
3. The door of the unit must be removed when the Vallox 110 ventilation unit is installed onto the wall mounting plate.
4. Lift the ventilation unit close to the ceiling mounting plate and feed the cables and the connection box through the hole in the ceiling mounting plate on top of the ceiling.

**NOTE!** Remember to make a service door in the ceiling so that the cables and the connection box can be accessed. The distance between the service door and the ceiling mounting plate must be around 500 mm.

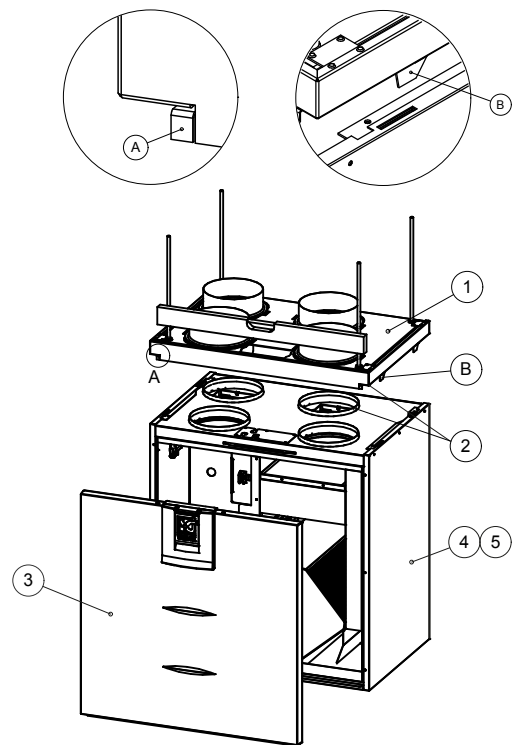
Alternatively, the cables can be fed between the ceiling mounting plate and the ventilation unit to the rear wall.

When the ventilation unit is lifted against the ceiling mounting plate, the unit locks in place. (Where needed, guide the mounting hooks on the ceiling

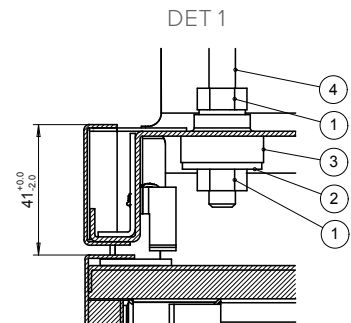
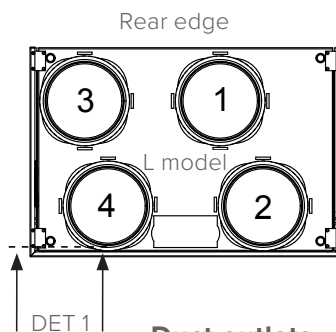
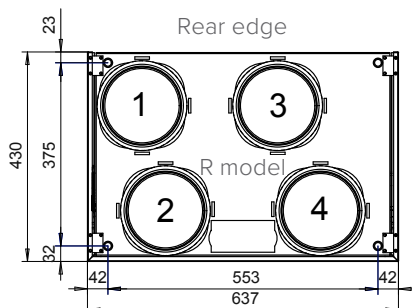
mounting plate (B) to the grooves on the side panels of the ventilation unit.)

There are operating levers (A) on the front bottom corners of the ceiling mounting plate. When the levers have been restored to the same level with the white covering strip of the ceiling mounting plate, the unit has been locked in place.

5. Where required, the unit can be detached from the ceiling mounting plate. Remove the door of the unit. Lift the unit slightly upwards and pull simultaneously from both operating levers (A) of the ceiling mounting plate to detach the unit from the ceiling mounting plate.



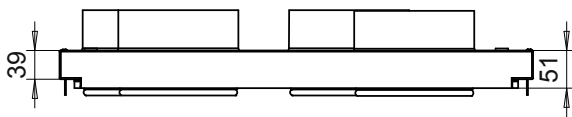
### Dimensions and duct outlets



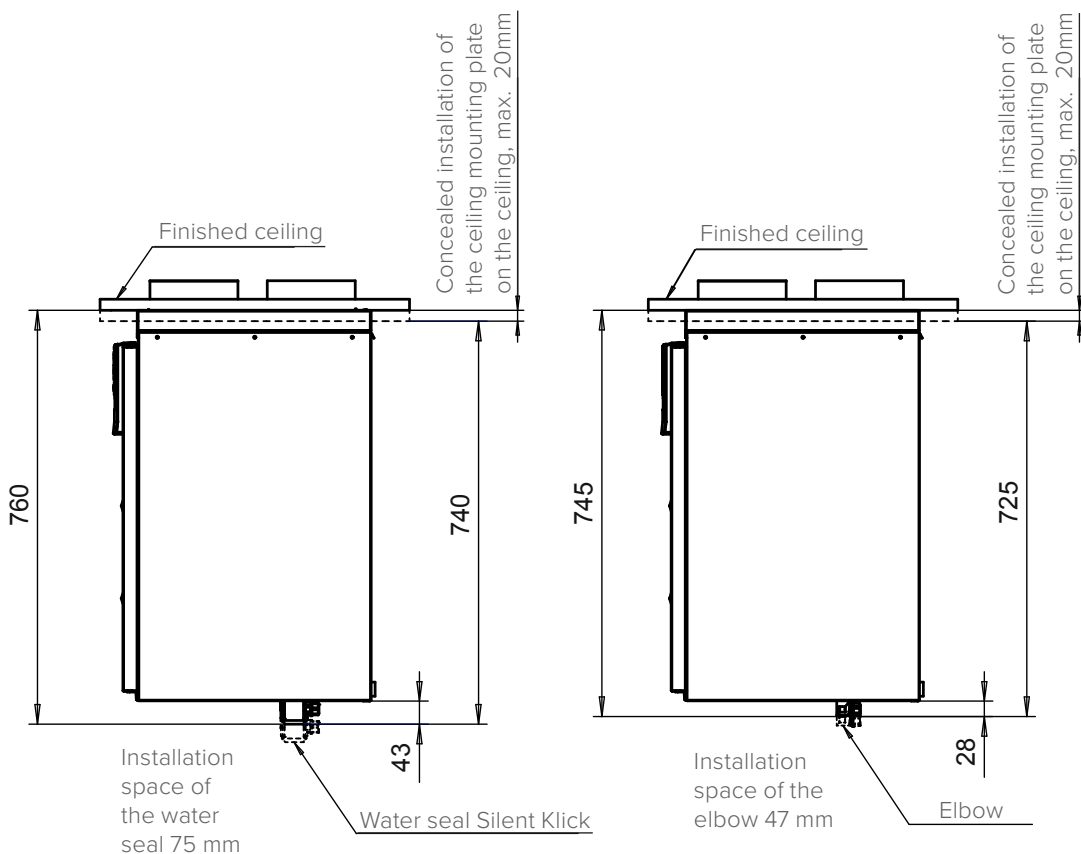
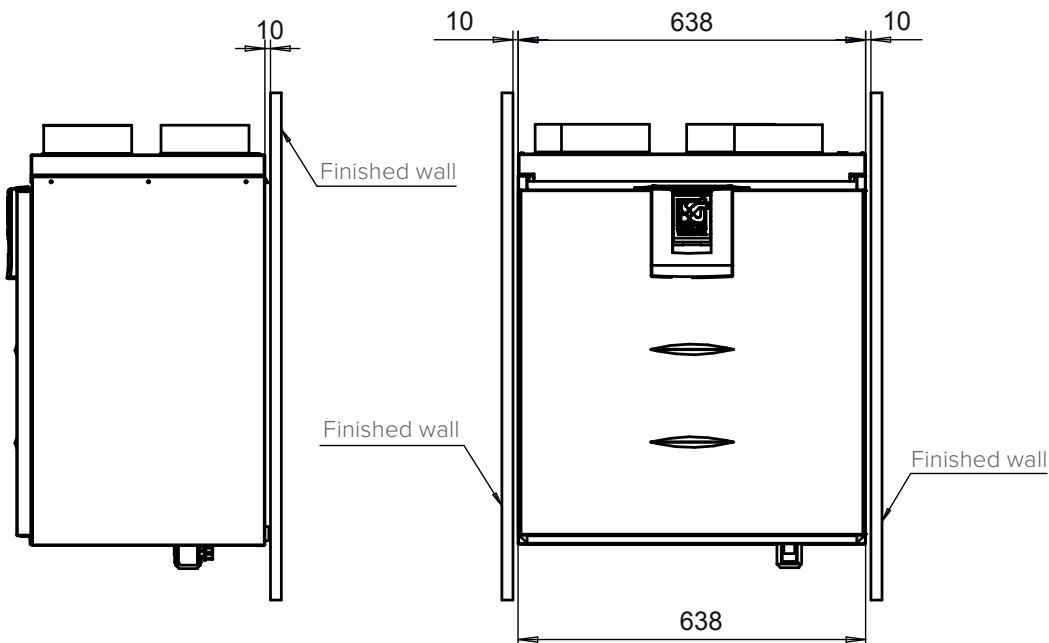
#### Duct outlets

- |                                   |                            |
|-----------------------------------|----------------------------|
| 1. Supply air to the apartment    | 1. Nut M8                  |
| 2. Exhaust air from the apartment | 2. Washer                  |
| 3. Exhaust air out                | 3. Vibration rubber damper |
| 4. Outdoor air to the unit        | 4. Thread bar M8           |

# CEILING MOUNTING PLATE VALLOX 110



The minimum distance from the finished rear wall is 10 mm The recommended distance from the finished side wall is 10 mm



# VALLOX

[www.vallox.com](http://www.vallox.com)

Vallox Oy | Myllykyläntie 9-11 | 32200 LOIMAA | FINLAND  
Exchange +358 10 7732 200 | Aftersales +358 10 7732 270

D4905 | 03.01.2018 | PDF