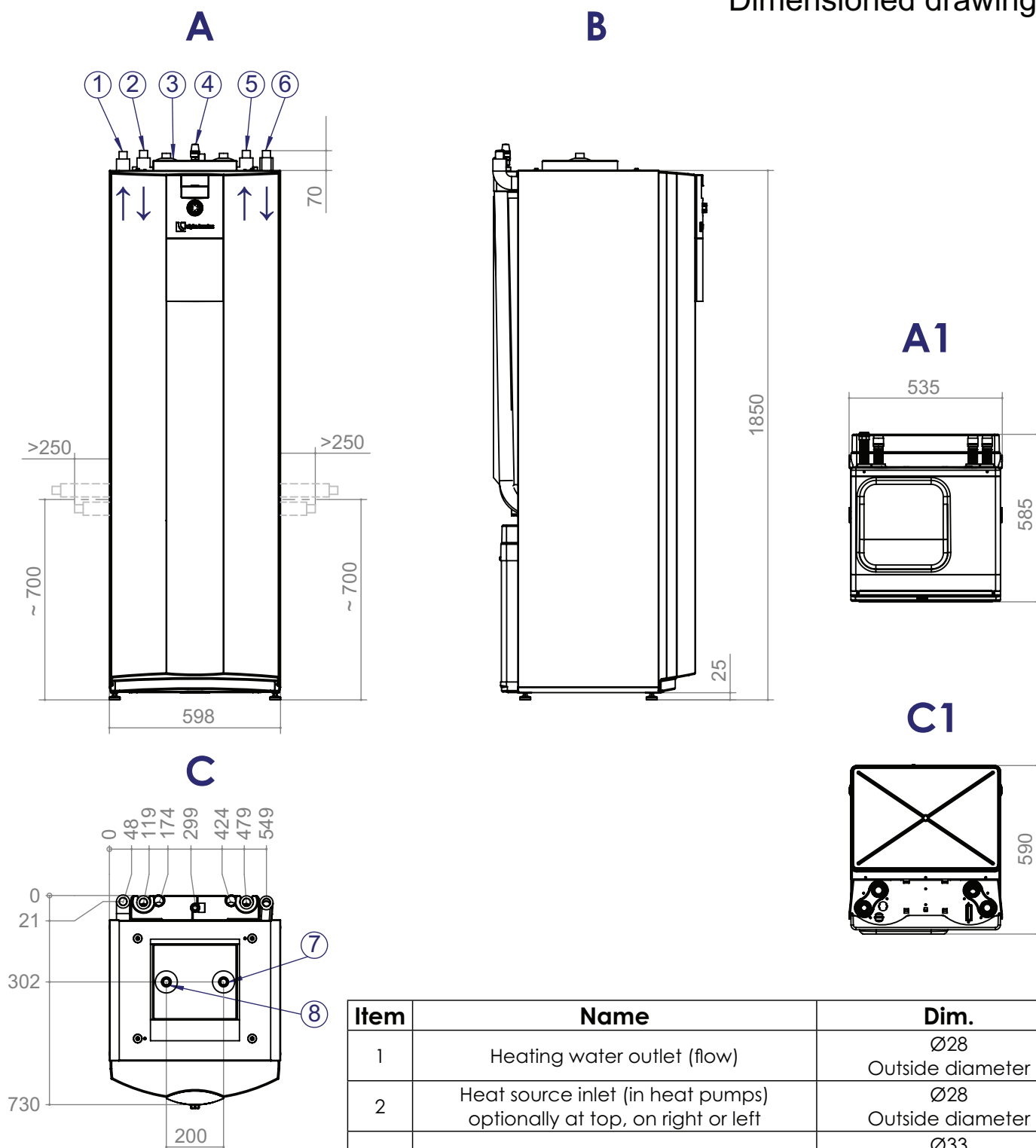




Dimensioned drawings



Key: D819447

All dimensions in mm.

A Front view

B Side view from left

C Plan view

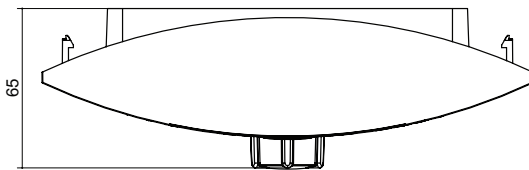
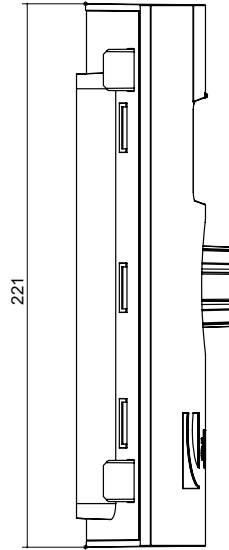
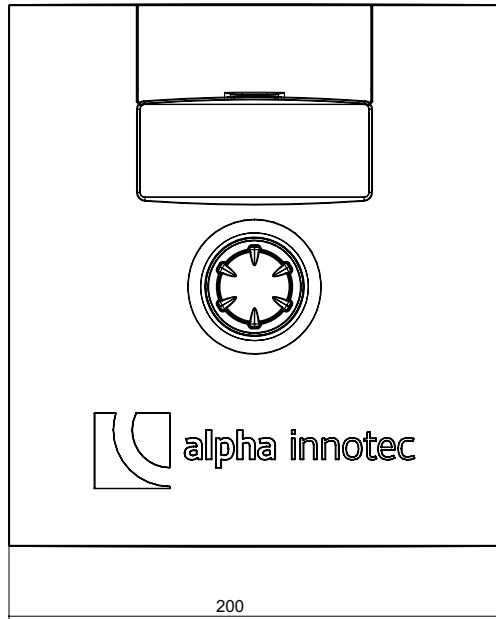
A1 Front view of module box

C1 Top view of module box

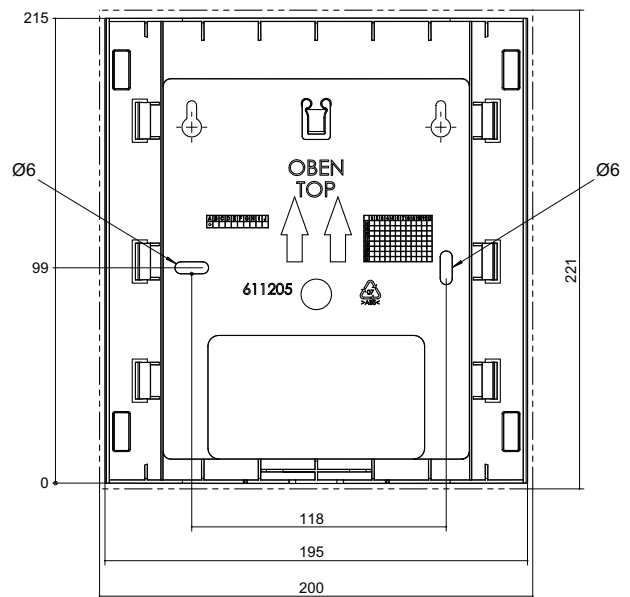
Item	Name	Dim.
1	Heating water outlet (flow)	Ø28 Outside diameter
2	Heat source inlet (in heat pumps) optionally at top, on right or left	Ø28 Outside diameter
3	Reserve conduit for electric/sensor cables	Ø33 Inside diameter
4	Heating circuit safety valve (in the separate package)	Rp 3/4" internal thread
5	Heat source outlet (from heat pump) optionally at top, right or left	Ø28 Outside diameter
6	Heating water inlet (return)	Ø28 Outside diameter
7	Domestic hot water	R 3/4" external thread
8	Cold domestic water	R 3/4" external thread



Dimensioned drawing of control unit, wall-mounted bracket



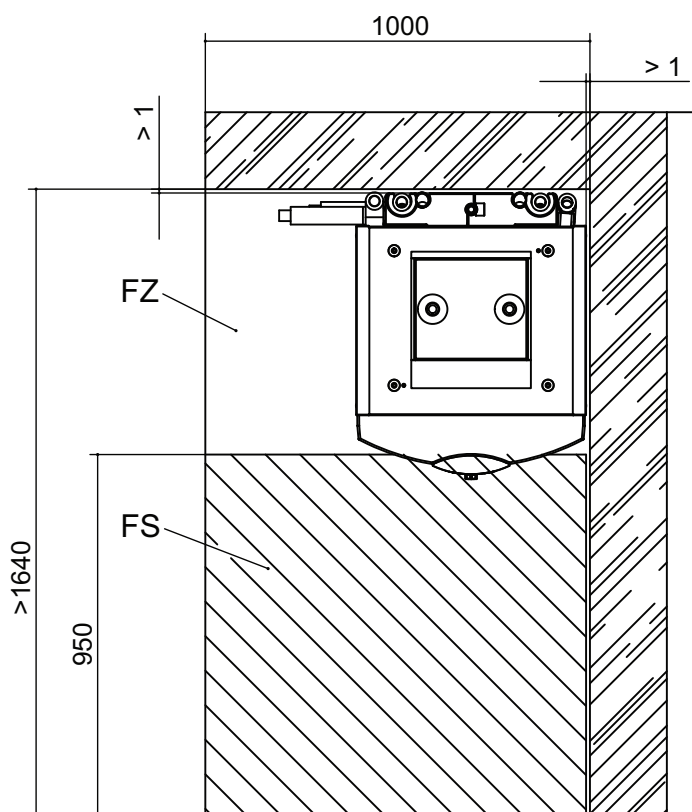
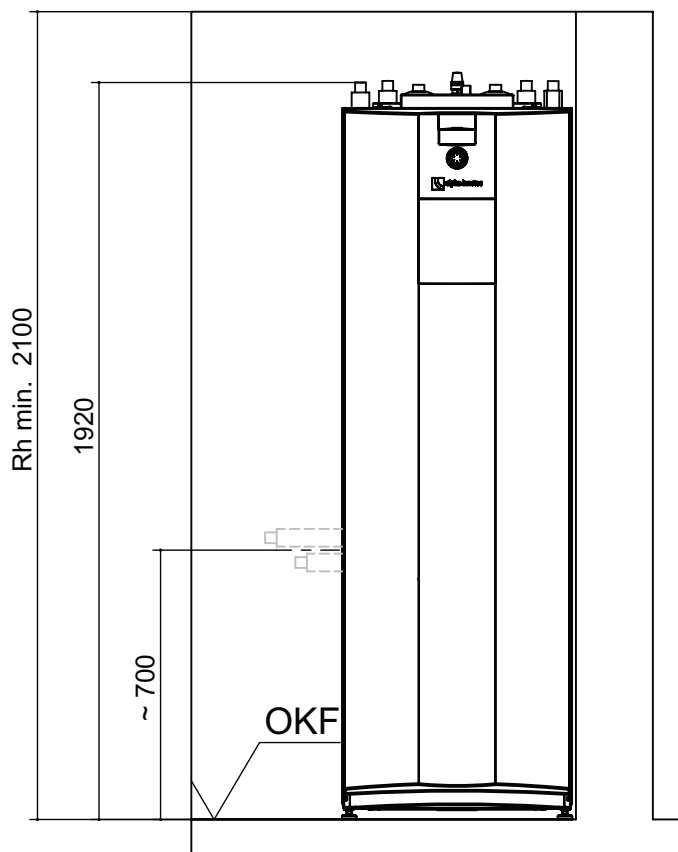
Wall mounted





Installation plans

V1



Key: DE819448

V1 Version 1

Rh min. Minimum room height

FS Free space for service purposes

FZ Free space for functionally necessary accessories

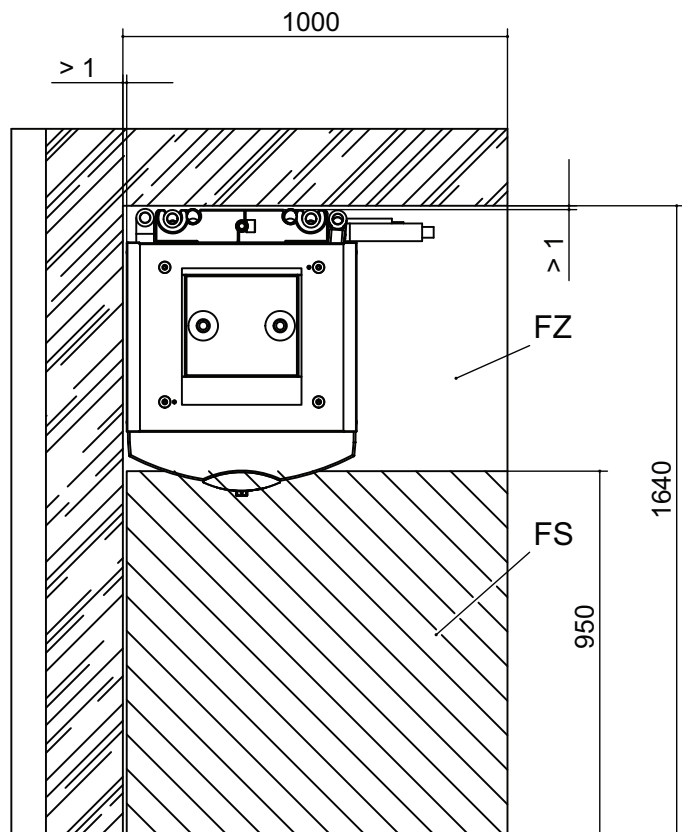
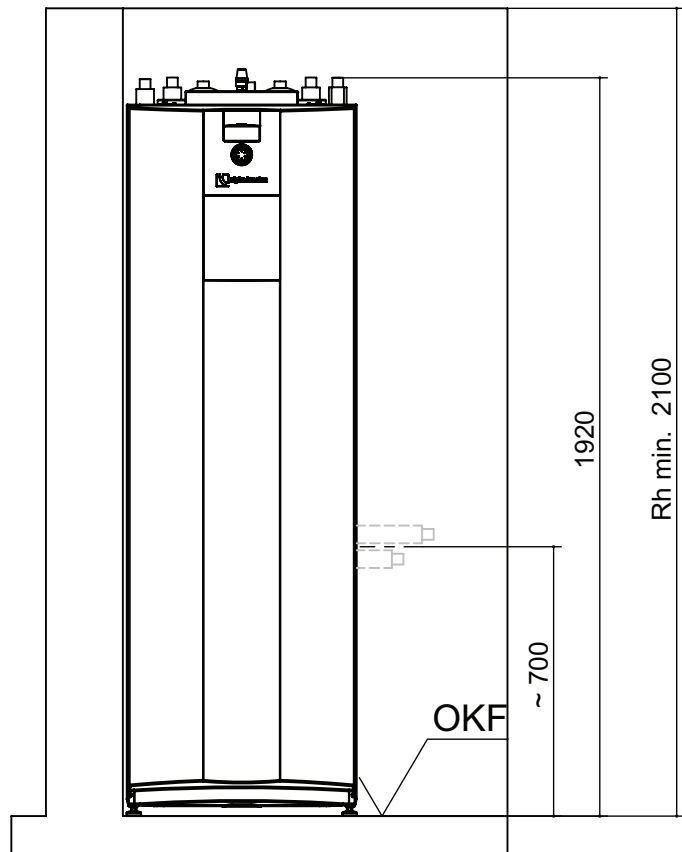
OKF Finished floor level

All dimensions in mm.



Installation plans

V2



Key: DE819448

V2 Version 2

Rh min. Minimum room height

FS Free space for service purposes

FZ Free space for functionally necessary accessories

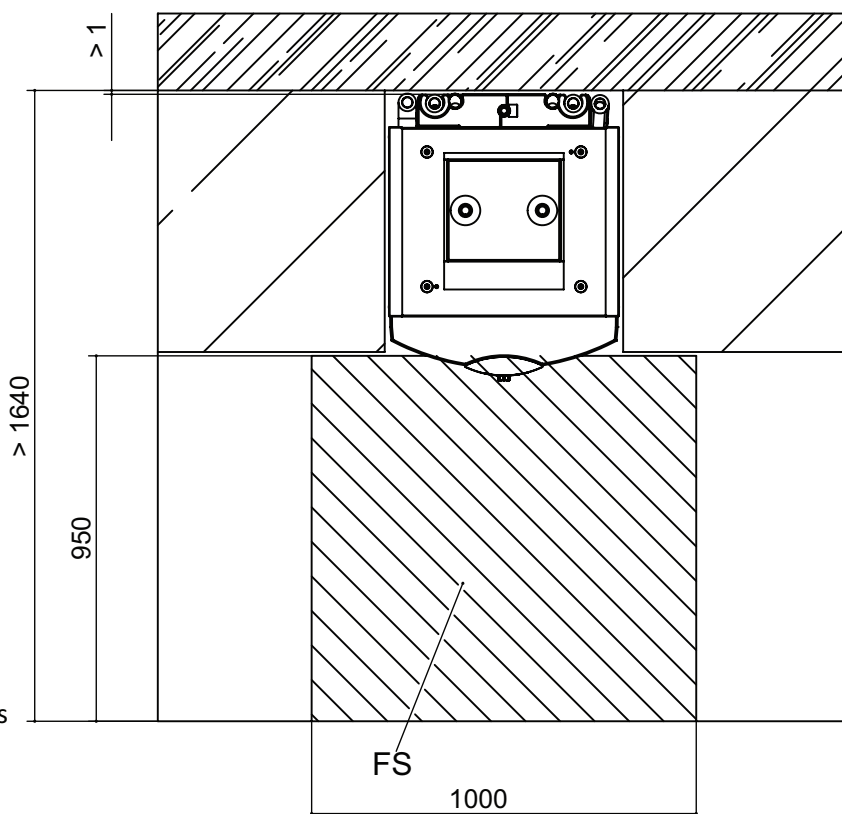
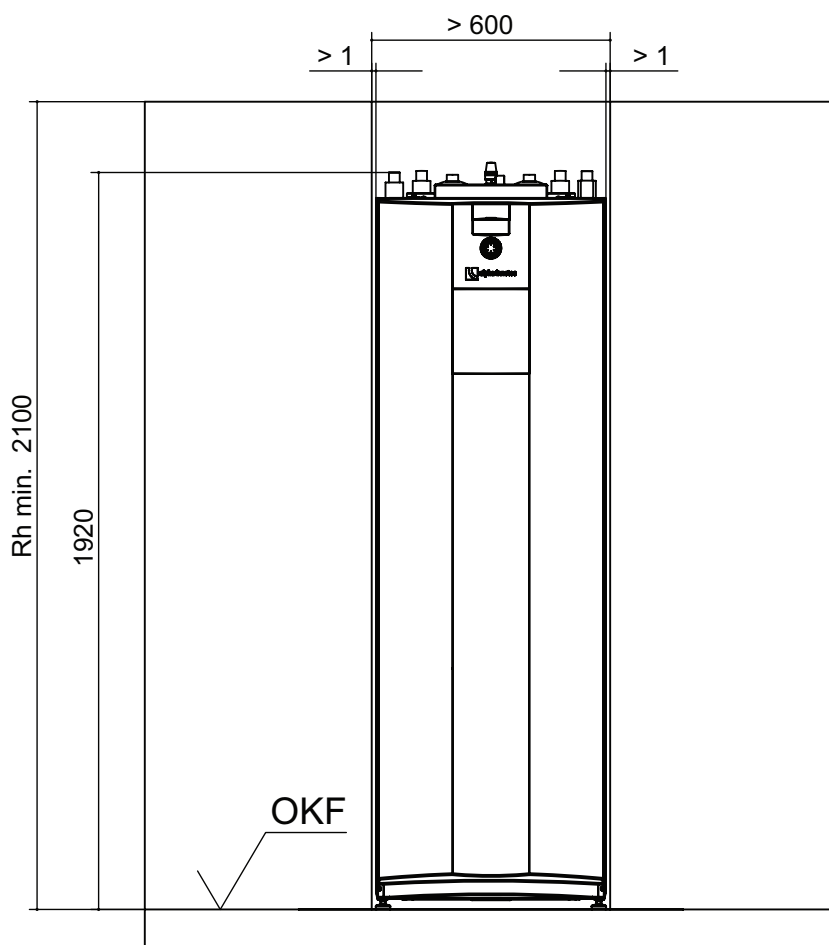
OKF Finished floor level

All dimensions in mm.



Installation plans

V3



Key: DE819448

V3 Version 3

Rh min. Minimum room height

FS Free space for service purposes

OKF Finished floor level

All dimensions in mm.