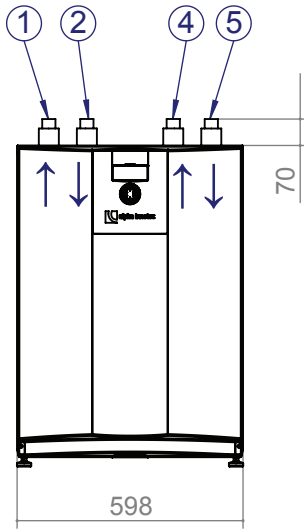


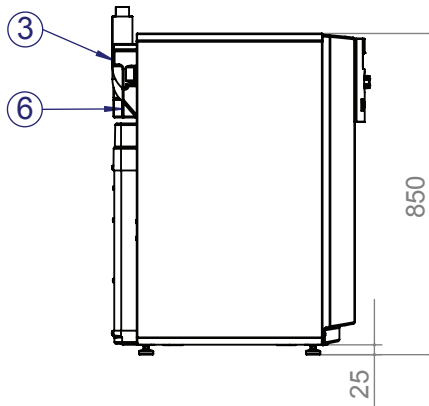


## Dimensioned drawings

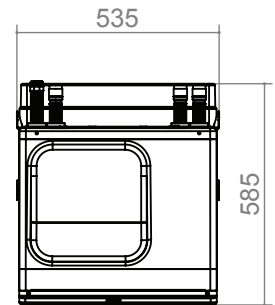
**A**



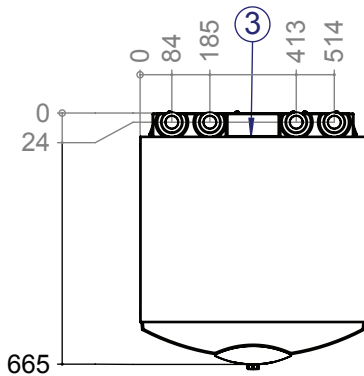
**B**



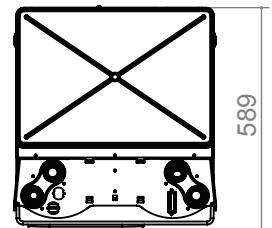
**A1**



**C**



**C1**



Key: D819447

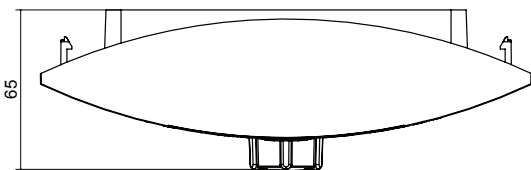
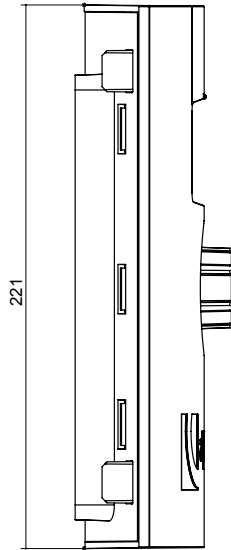
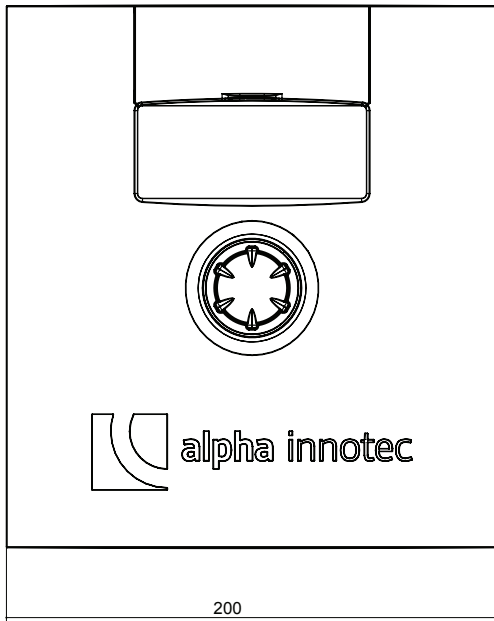
All dimensions in mm.

- A Front view
- B Side view from left
- C Plan view
- A1 Front view of module box
- C1 Top view of module box

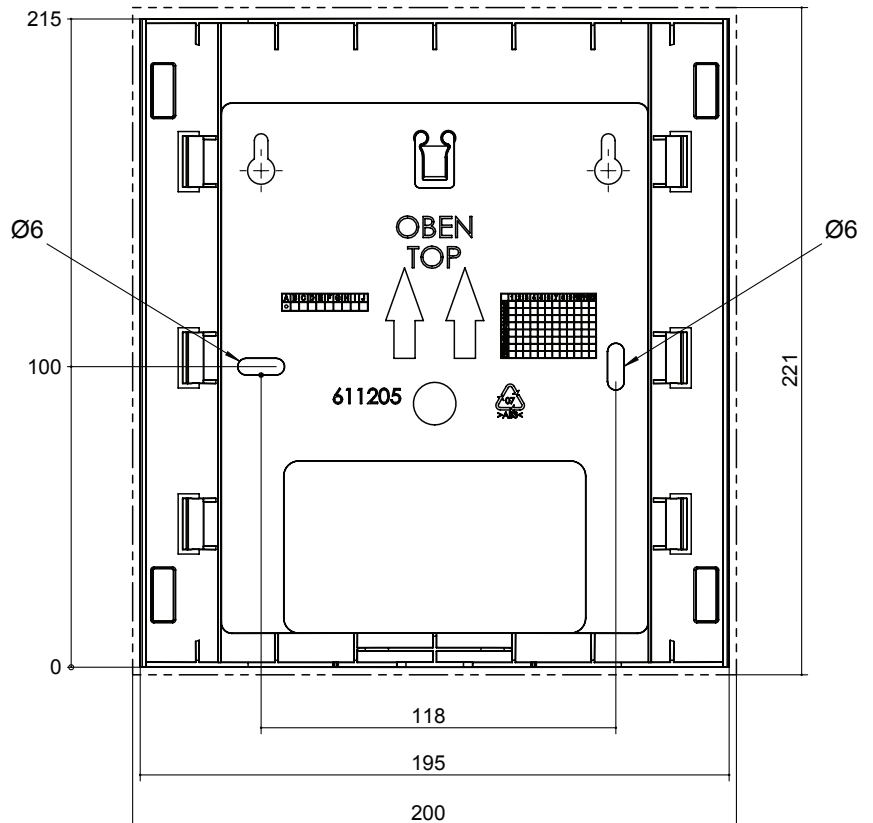
Item	Name	4kW - 12kW	14kW - 19kW
1	Heating water outlet (flow)	Ø28 Outside diameter	Ø35 Outside diameter
2	Heat source inlet (in heat pump)	Ø28 Outside diameter	Ø35 Outside diameter
3	Cable entry, connection cable	---	---
4	Heat source outlet (from heat pump)	Ø28 Outside diameter	Ø35 Outside diameter
5	Heating water inlet (return)	Ø28 Outside diameter	Ø35 Outside diameter
6	Cable entry, LIN bus cable	----	---



# Dimensioned drawing of control, wall-mounted bracket



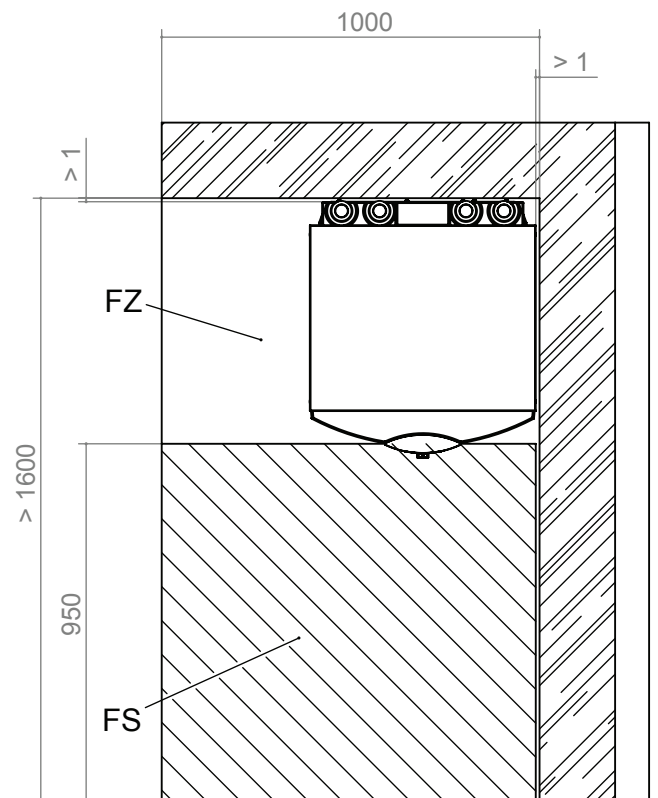
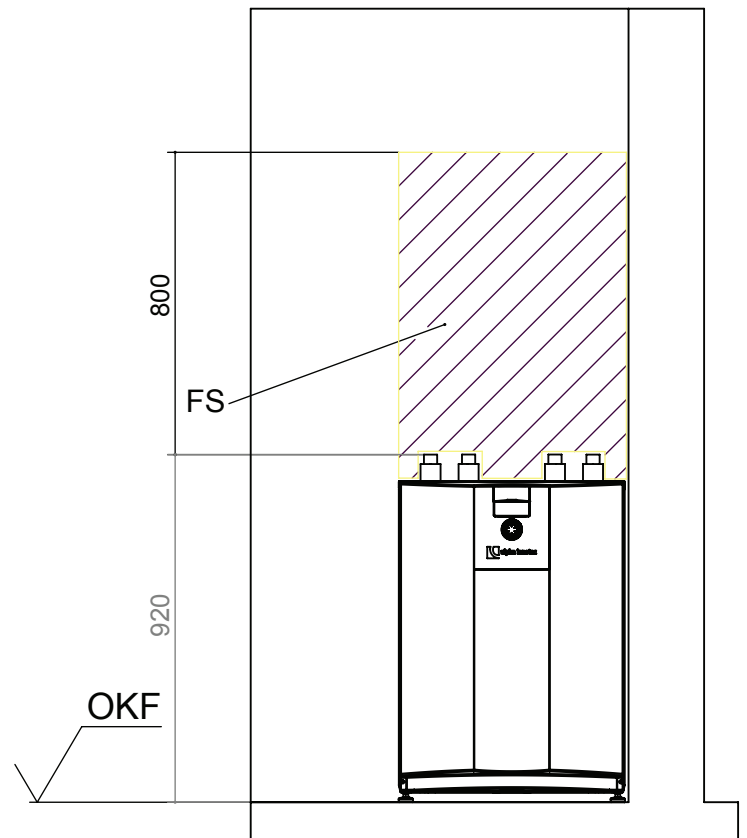
## Wall-mounted installation:





# Installation plans

## V1



Key: DE819456a

V1 Version 1

FZ Free space for functionally necessary accessories

FS Free space for service purposes

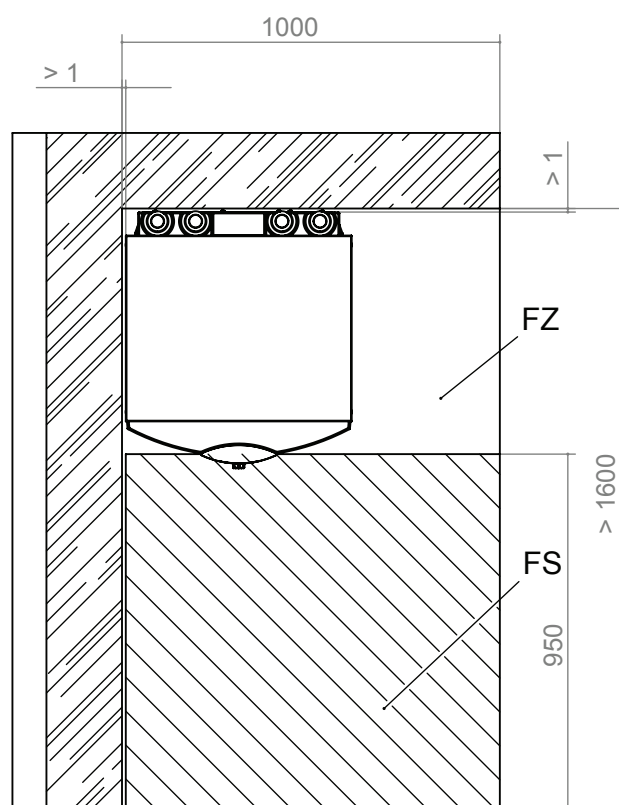
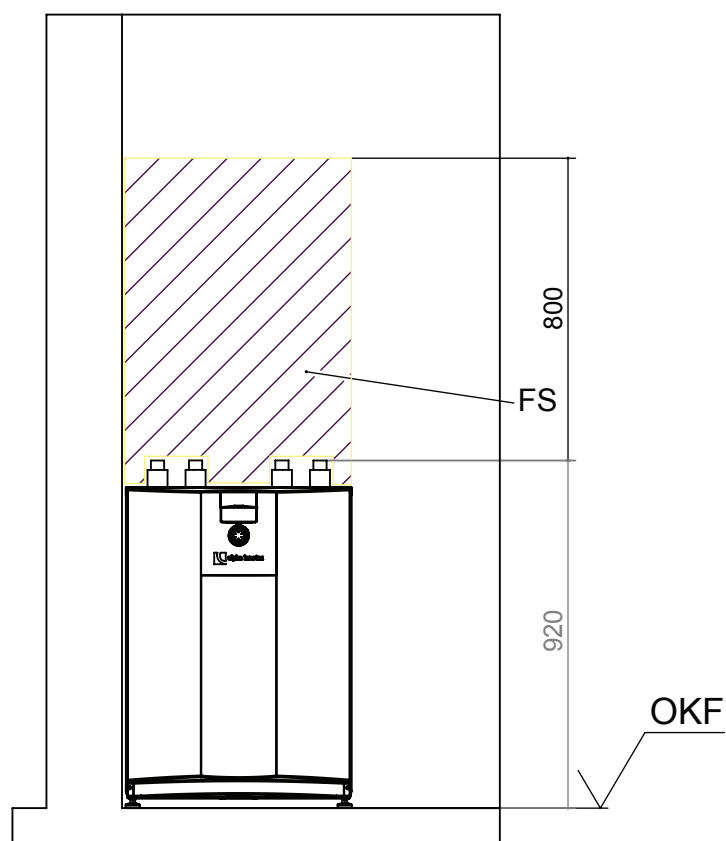
OKF Finished floor level

All dimensions in mm



## Installation plans

# V2



Key: DE819456a

V2 Version 2

FZ Free space for functionally necessary accessories

FS Free space for service purposes

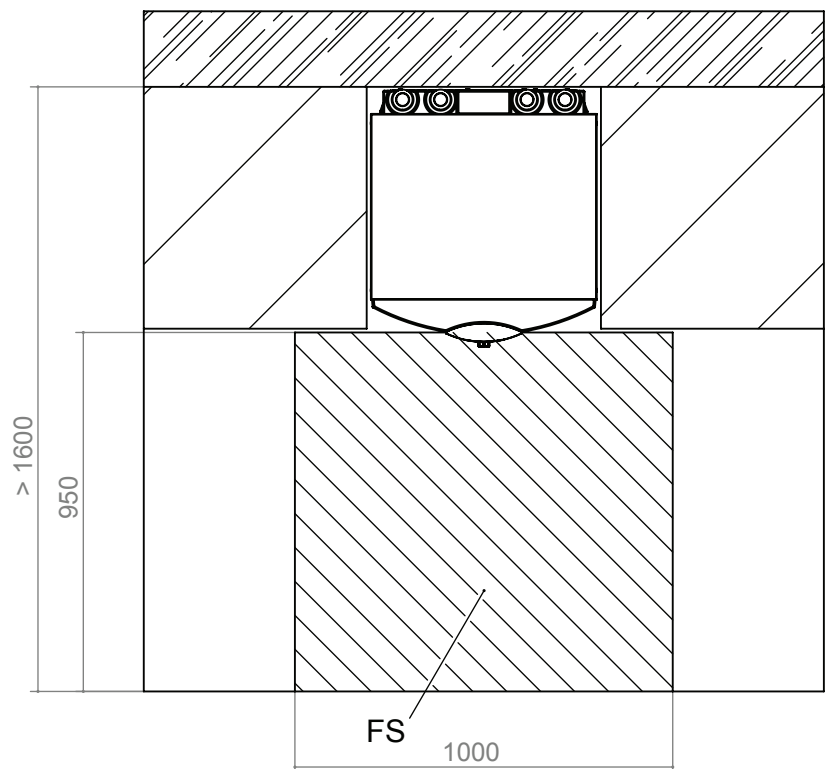
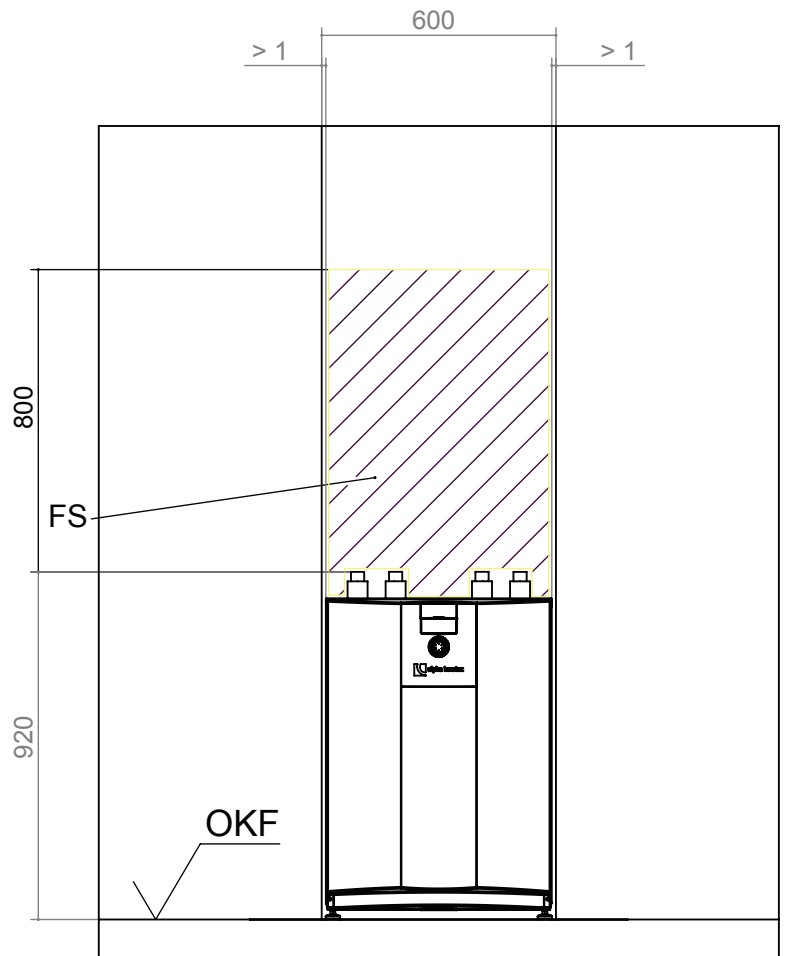
OKF Finished floor level

All dimensions in mm.



## Installation plans

# V3



Key: DE819456a

V3 Version 3

FS Free space for service purposes

OKF Finished floor level

All dimensions in mm.